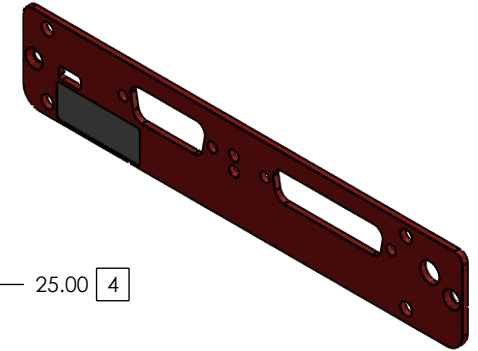
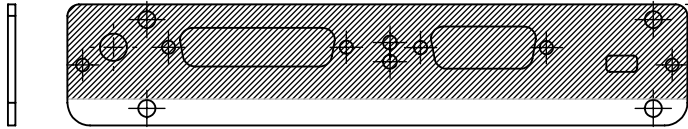
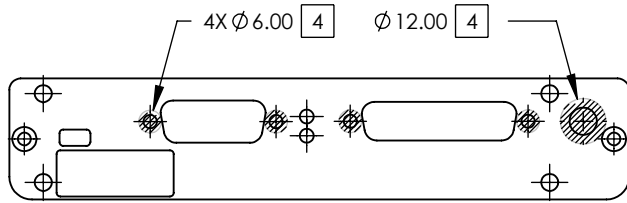
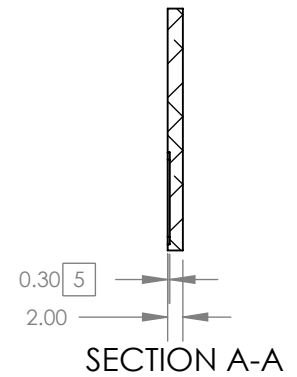
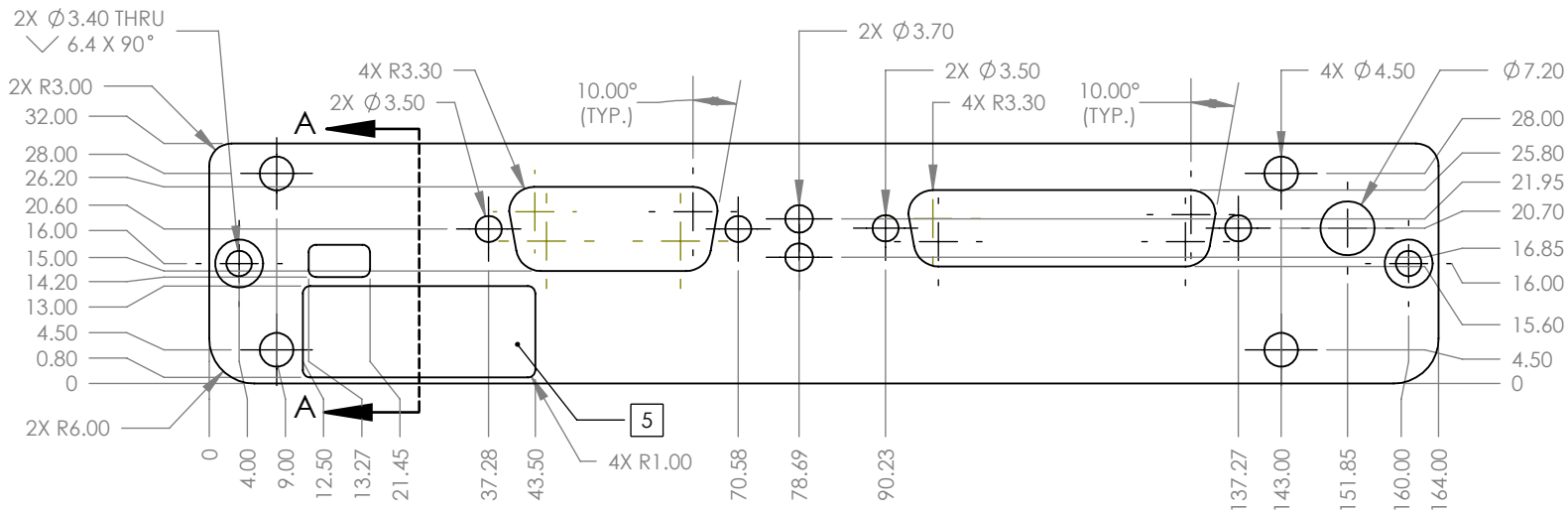


THE INFORMATION CONTAINED IN THIS DRAWING IS SENSITIVE AND PROPRIETARY AND IS THE SOLE PROPERTY OF THORLABS INC. ANY REPRODUCTION IN PART OR IN WHOLE WITHOUT THE WRITTEN PERMISSION OF THORLABS INC. IS PROHIBITED.

REVISIONS			
REV.	DESCRIPTION	DATE	APPROV.
A	INITIAL RELEASE	4/1/2019	RG
B	MAKE AS CUSTOM PART INSTEAD OF MODIFIED STOCK PART	2/27/2020	RG
C	MAKE SINGLE SIDED, ADD SECOND DSUB CUTOUT, HOLES, MODIFY DIMENSIONS	6/26/2020	RG



25.00 [4]



NOTES:

- INTERPRET DRAWING AS PER ASME Y14.5 - 2009 (GENERAL TOLERANCES AS DESCRIBED IN TITLE BOX). MISSING DIMENSIONS PROVIDED ON ATTACHED CAD MODEL, IGES FORMAT.
 - CHAMFER HOLES TO REMOVE BURRS, BREAK SHARP EDGES AND TUMBLE TO UNIFORM MATTE FINISH.
 - ANODIZED FINISH; MIL-A-8625, TYPE II, CLASS 2. ANODIZE COLOR, 2 PART DYE, SANODURE FIERY RED ML #102263, MANUFACTURED BY CLARIANT CORP., TEL-704-331-7000. RECOMMENDED CONCENTRATION FOR DESIRED SHADE; 3 GRAMS/LITER. COLOR MATCHING TO A SIMILAR COLOR AND SHADE IS ALLOWABLE.
- [4] MASK HATCHED REGION FROM ANODIZATION.
- [5] PROVIDE POCKET FOR LABEL, ∇ 0.3mm.

UNLESS OTHERWISE SPECIFIED: DIMENSIONS ARE IN MM. TOLERANCES ARE: DECIMALS ANGLES .XXX ± 0.030 ± .5 .XX ± 0.13 .X ± 0.3 SURFACE FINISH: 3 µm REMOVE ALL BURRS AND BREAK SHARP EDGES 0.1 MAX.	 THIRD ANGLE PROJECTION		THORLABS Quantum Electronics 10335 GUILFORD ROAD, JESSUP MD 20794	
	APPROVALS		DATE	
	DRAWN	RG	6/26/2020	
	CHECKED	XX	6/26/2020	
ENGINEER	RG			
MATERIAL	AL 6061	APPROV	CCB	
FINISH	ANODIZED, RED	DO NOT SCALE DRAWING		
SIZE	A	DWG. NO.	MEC-100-1501	
SCALE	1:1			REV. C
				SHEET 1 OF 1